



TRANSITIONAL

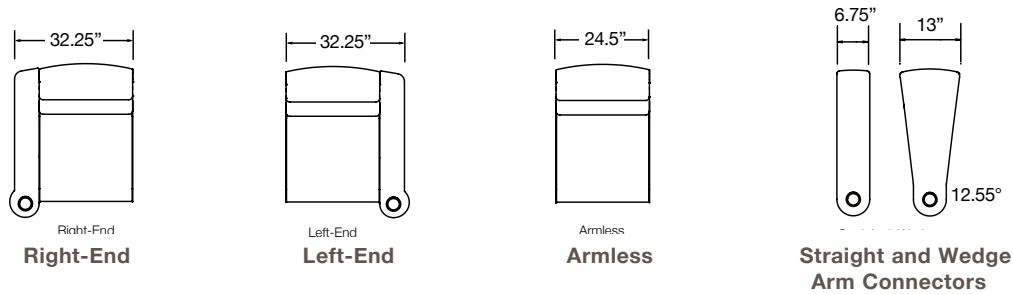
# TALIA

Generous cushioning and graceful, Modern-inspired curves invite you to be seated while the reclining back and hidden footrest support you in lavish comfort.

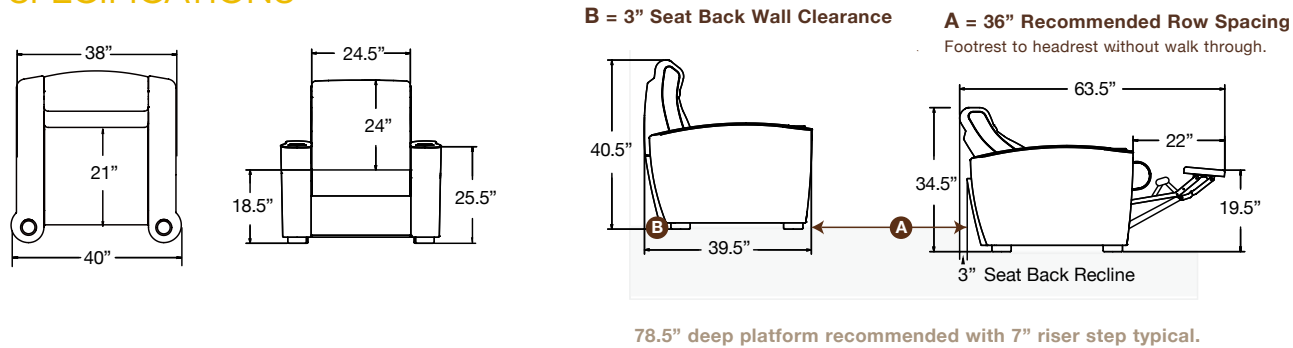


## MODULES

End chairs combine with chair connectors or armless chairs for straight or wedge shaped rows.  
Two armless Talia modules can be joined without arm connectors.

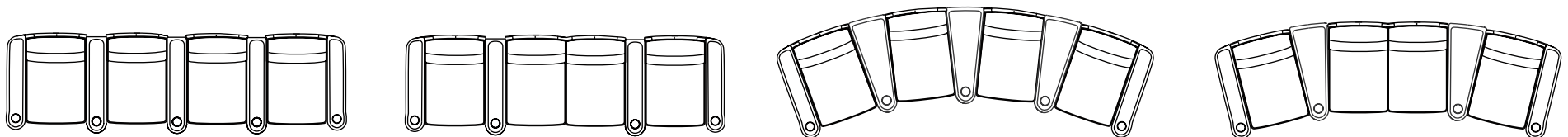


## SPECIFICATIONS



**Dimensional Tolerance:**  
Allow 1/2" (12mm) to each chair for cushion variation.

## MODULAR SOLUTIONS



- Wall-away recliner mechanism allows close-to-wall positioning
- Fully-adjustable, motorized\* recliner or 3-position manual recliner or non-reclining mechanism
- Leather or microsuede covers
- Tailored, piping with optional contrast piping
- Black, silver or no cup holder

\* Power Mechanism Electrical Specifications: 110 V AC, 2.0 amps nominal load, 5.0 amps max load, thermally protected



Design & Quote Custom  
Theater Seating Online with our  
**Custom Configurator**  
[SalamanderDesigns.com](http://SalamanderDesigns.com)